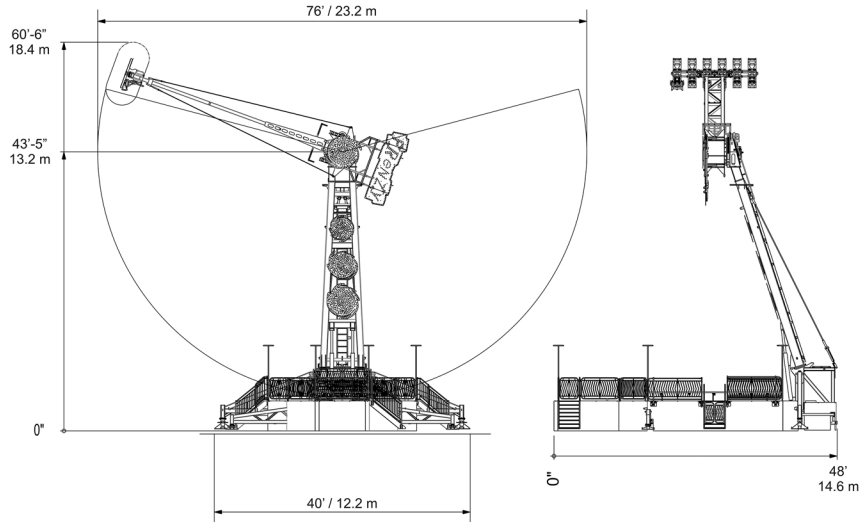


# FRENZY

A.R.M., INC.  
1506 FERNWOOD RD  
WINTERSVILLE, OH 43953

**NAME** FRENZY  
**MODEL** FZ100  
**MANUFACTURE DATE** NOV, 2013  
**MAX SPEED** 35 MPH  
**MAX DURATION** 2 MINUTES  
**SERIAL NUMBER** FZ101  
**DIRECTION** CW/CCW  
**MAX STATIC WIND SPEED** 90 MPH / 145 KPH  
**MAX OPERATION WIND SPEED** 35 MPH / 56 KPH  
**MIN PASSENGER HEIGHT** 48" / 122CM  
**MAX NUMBER OF PASSENGERS** 12  
**MAX PASSENGER WEIGHT PER SEAT** 250 LB / 113 KG  
**MAX TOTAL PASSENGER WEIGHT** 2,040 LB / 925 KG  
**POWER REQUIREMENT** 3 PHASE 220V 150 AMP  
**MECHANICAL POWER REQUIREMENT** 75 HP



	TRANSPORT	STATIC	DYNAMIC
<b>WIDTH</b>	8'-6" / 2.6 M	40' / 12.2 M	77' / 23.5 M
<b>LENGTH</b>	48' / 14.6 M	48' / 14.6 M	48' / 14.6 M
<b>HEIGHT</b>	13'-6" / 4.1 M	56' / 17.1 M	61' / 18.6 M
<b>WEIGHT</b>	75000 LB / 34019 KG	75000 LB / 34019 KG	77040 LB / 34945 KG